

THIS DRAWING IS UNPUBLISHED. RELEASED FOR PUBLICATION NOV ,2006.

© COPYRIGHT 2006 BY TYCO ELECTRONICS CORPORATION. ALL RIGHTS RESERVED.

LOC	DIST	REVISIONS					
E	B	P	LTR	DESCRIPTION	DATE	DWN	APVD
		A		FIRST ISSUE	16NOV06	JMS	FWK

NOTES

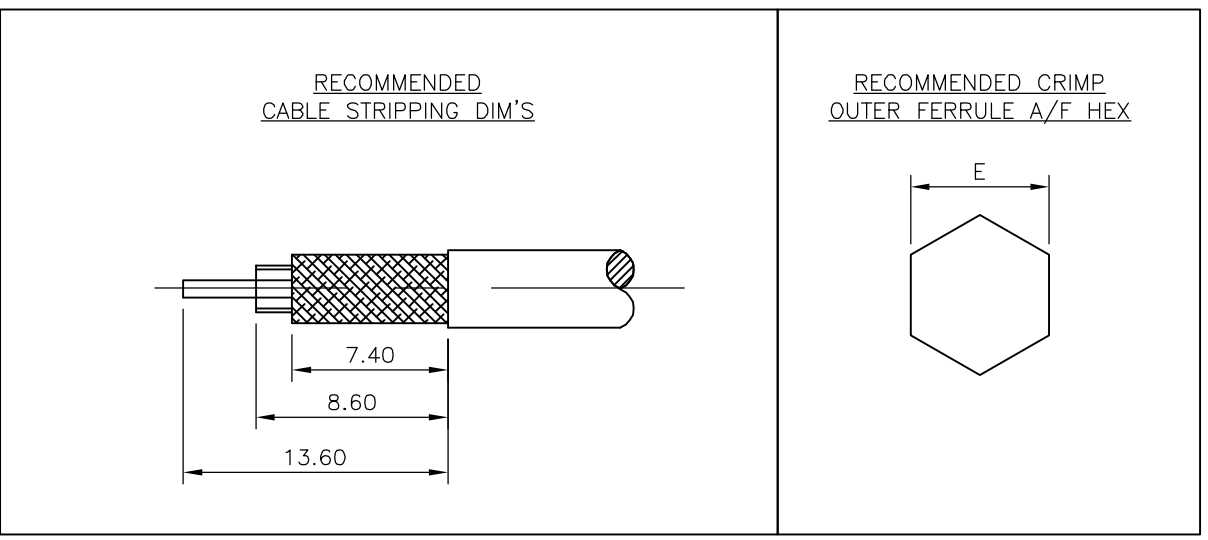
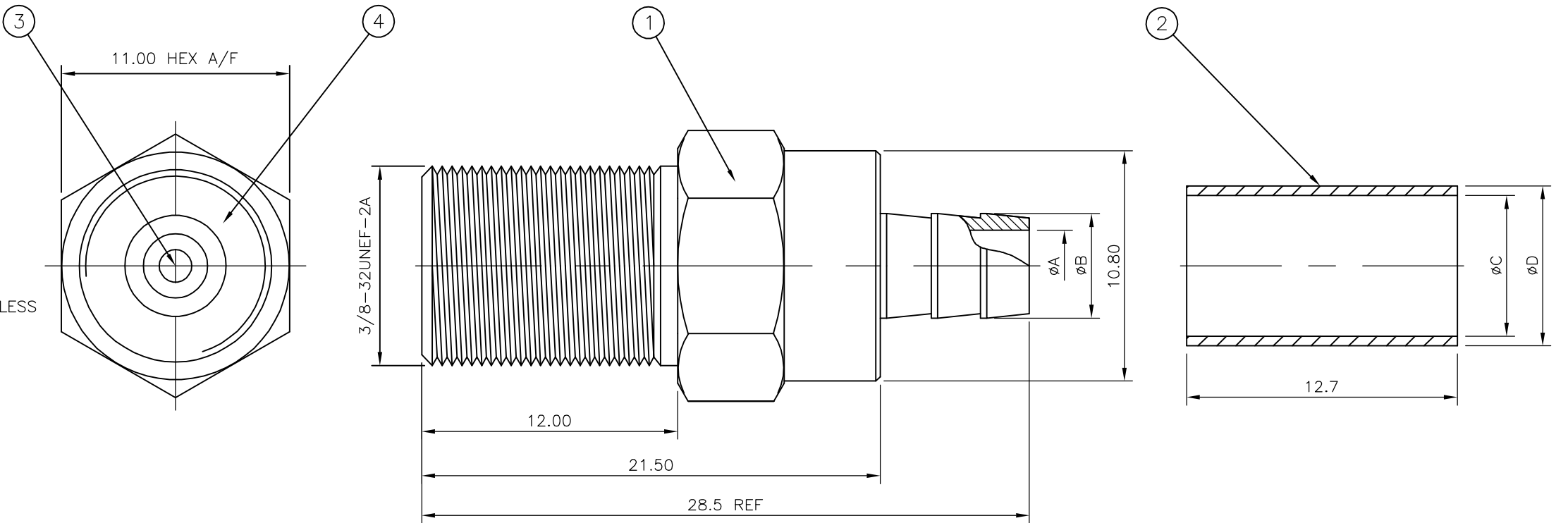
- 1 SINGLE PACK IN ACCORDANCE WITH AMP SPEC 107-3275
- 2 100 TRAY PACK IN ACCORDANCE WITH AMP SPEC 107-3275
- 3 Ni PLATING
- 4 TIN PLATING
- 5. ELECTRICAL CHARACTERISTICS
 

FREQUENCY RANGE:	DC - 2 GHz
NOMINAL IMPEDANCE:	75 Ohm
INSULATION RESISTANCE:	N/A
WORKING VOLTAGE:	N/A
DIELECTRIC WITHSTAND VOLTAGE:	N/A
CONTACT RESISTANCE:	N/A
CENTRE CONTACT:	N/A
OUTER CONTACT:	N/A
VSWR @ 3GHz:	1.35:1
INSERTION LOSS dB @ x 1.5 GHz:	N/A
- 6. MECHANICAL CHARACTERISTICS
 

COUPLING NUT PROOF TORQUE:	3.4 Nm
CABLE RETENTION FORCE:	N/A
DURABILITY:	50 Cycles Min
- 7. ENVIRONMENTAL CHARACTERISTICS
 

OPERATING TEMPERATURE:	-55 to +85 DegC
------------------------	-----------------
- 8. FOR TECHNICAL DATA REFER TO YOUR LOCAL TYCO ELECTRONICS SALES OFFICE
- 9. ALL DIMENSIONS ARE NOMINAL FOR REFERENCE ONLY UNLESS OTHERWISE STATED

DIE SET	E	D	C	B	A	CABLE GROUPS	PART NO.
9-1478243-0	8.30	9.30	8.30	7.00	5.70	CT125	5-1814826-7
9-1478243-0	8.30	9.30	8.30	7.00	5.70	CT125	5-1814826-6
9-1478242-0	6.50	7.50	6.70	5.60	4.60	CT100	5-1814826-5
9-1478242-0	6.50	7.50	6.70	5.60	4.60	CT100	5-1814826-4
9-1478243-0	8.60	9.60	8.70	6.80	4.85	RG6/U	5-1814826-3
9-1478243-0	8.60	9.60	8.70	6.80	4.85	RG6/U	5-1814826-2
9-1478242-0	6.50	7.50	6.80	4.90	3.90	RG59B/U, 62A/U, 140/U, 210/U, URM90, Belden 9291, 9291, KX6A, KX25, KX52, KX53	5-1814826-1
9-1478242-0	6.50	7.50	6.60	4.90	3.90	RG59B/U, 62A/U, 140/U, 210/U, URM90, Belden 9291, 9291, KX6A, KX25, KX52, KX53	5-1814826-0



1	1	1	1	1	1	1	1	POLYPROPYLENE	INSULATOR	4
1	1	1	1	1	1	1	1	BRASS	CONTACT	3
1	1	1	1	1	1	1	1	ZINC ALLOY	FERRULE	2
1	1	1	1	1	1	1	1	BRASS	BODY	1
5	75	65	55	45	35	25	15	MATERIAL	DESCRIPTION	ITEM

THIS DRAWING IS A CONTROLLED DOCUMENT.

DIMENSIONS: mm

TOLERANCES UNLESS OTHERWISE SPECIFIED:

0 PLC	± -
1 PLC	± -
2 PLC	± -
3 PLC	± -
4 PLC	± -
ANGLES	± -
FINISH	-

MATERIAL: SEE TABLE

THIS DRAWING IS A CONTROLLED DOCUMENT. DWN J.SANDWELL 16NOV06. CHK S.PARLOW 16NOV06. APVD F.WHEELER-KING 16NOV06. Tyco Electronics Corporation, Bideford, UK, EX39 4HE. NAME: F TYPE BLK JK R/M. SIZE: A3. CAGE CODE: 00779. DRAWING NO: 1814826. RESTRICTED TO: -

CUSTOMER DRAWING. SCALE: NTS. SHEET: 1 OF 1. REV: A.